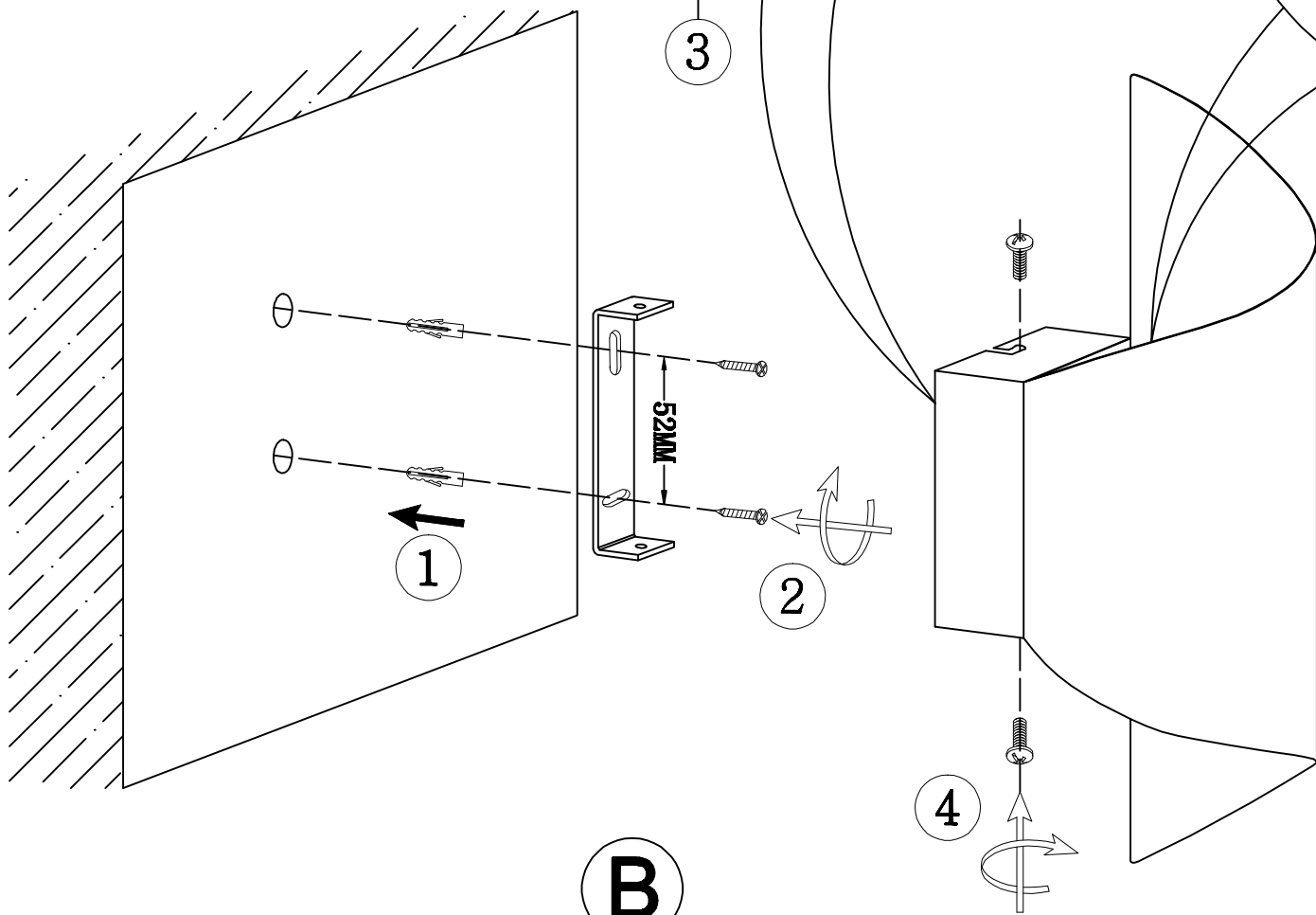
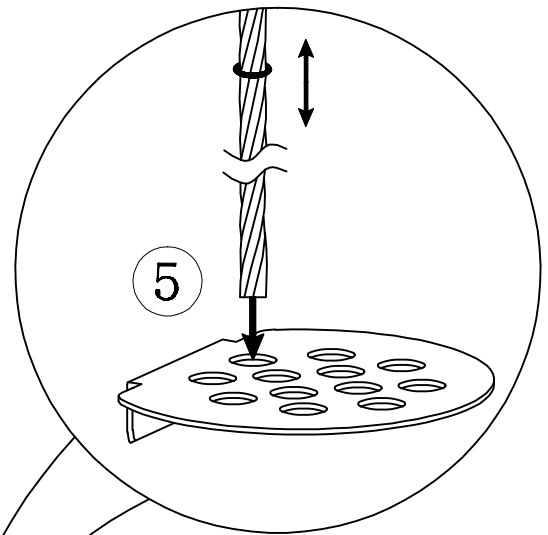
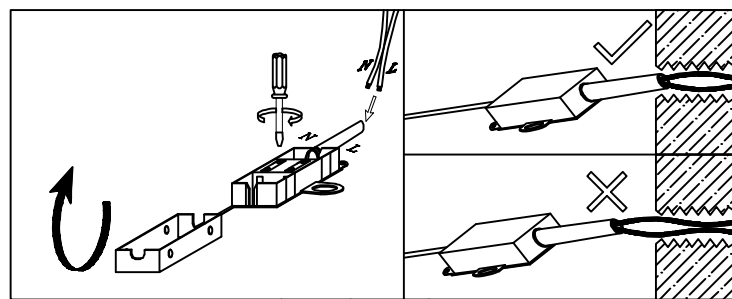
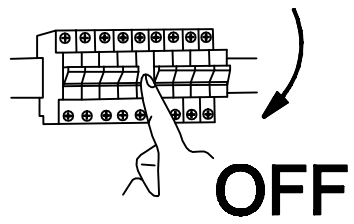
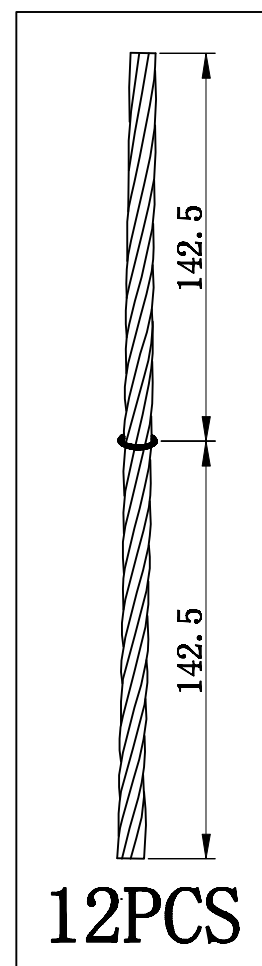
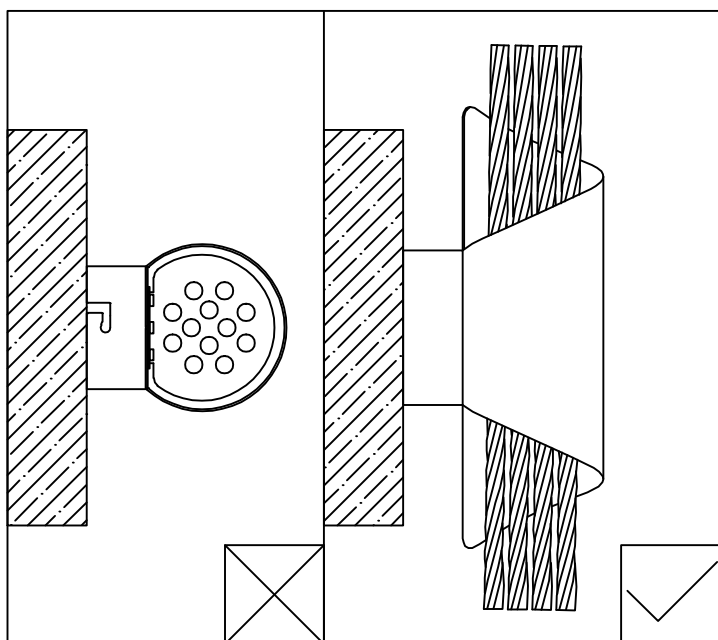


# INSTALLATION INSTRUCTION ODEON LIGHT COLLECTION L-VISION 3901/5W

**A**



**B**



**C**

